



Installation

Model specific instructions

For:

- **Kawasaki VN2000 Vulcan**
(2004 - 2007)
- **Kawasaki VN2000 Vulcan**
(2008 - 2011)

These instructions are a model specific add-on to the general BoosterPlug installation instructions.

The general BoosterPlug installation instructions can be found in the "Downloads" section on the BoosterPlug.com website:

<http://www.boosterplug.com/shop/cms-downloads.html>

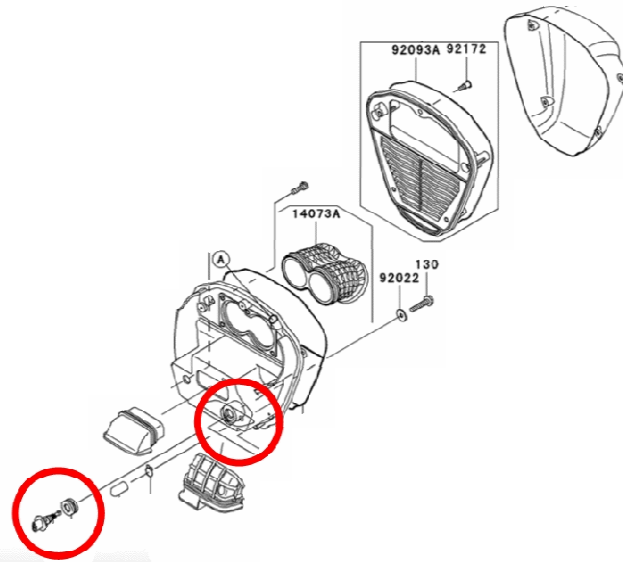
Installation Tips

- Install the BoosterPlug module as per the general installation papers.
- The pictures below should help you locate the AIT sensor where the BoosterPlug is installed.
- Lift the fuel tank to access the AIT sensor in the air box..
- The AIT sensor is located on the rear side (The inner side) of the air filter box (See picture below).
- You have several choices for the BoosterPlug sensor location, but our favorite place is near the steering head or under the head light.
 - Just stick to the simple rules in the general installation instructions for placing the external sensor, and you'll be fine.

Pictures

For:

- **Kawasaki VN2000 Vulcan**
(2004 - 2007)



For:

- **Kawasaki VN2000 Vulcan**
(2008 - 2011)

