



Installation

Model specific instructions

For:

- Honda GL1800 (2006 - 2017)
- Honda F6B
- Honda GL1800C Valkyrie

For the 2018 and never GL1800, please download separate instruction sheet.

These instructions are a model specific add-on to the general BoosterPlug installation instructions.

The general BoosterPlug installation instructions can be found in the "Downloads" section on the BoosterPlug.com website:

<http://www.boosterplug.com/shop/cms-downloads.html>

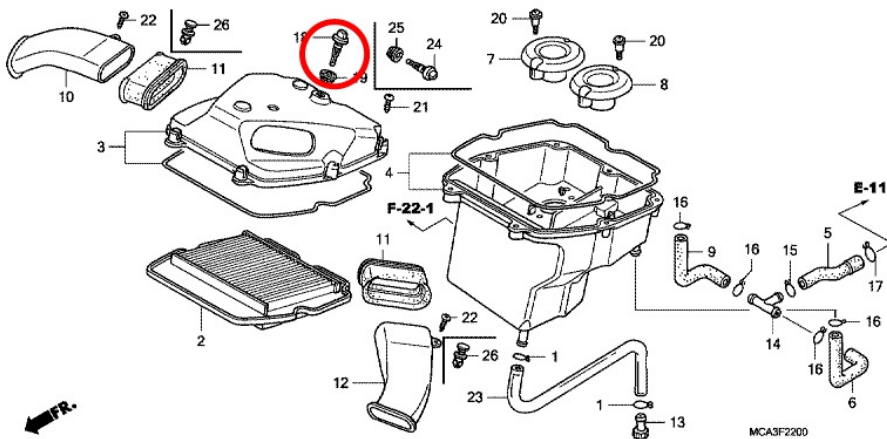
Installation Tips

- Install the BoosterPlug module as per the general installation papers.
- The pictures below should help you locate the AIT sensor where the BoosterPlug is installed.
- You have several choices for the BoosterPlug sensor location, but our favorite place is near the steering head or under the head light. Next to the airbox snorkel air intake hole is another very good spot.
 - Just stick to the simple rules in the general installation instructions for placing the external sensor, and you'll be fine.

Pictures

For:

- Honda GL1800 (2006 - 2017)
- Honda F6B



For:

- Honda GL1800C Valkyrie

