



Installation

Model specific instructions

For:

- KTM 690 Enduro (2008-2016)
- KTM 690 Enduro R (2009-2016)
- KTM 690 Enduro R (2017 –up)
- KTM 690 SMC (2008-2016)
- KTM 690 SMC R (2012-2016)
- KTM 690 SMC R (2017-up)

These instructions are a model specific add-on to the general BoosterPlug installation instructions.

The general BoosterPlug installation instructions can be found in the “Downloads” section on the BoosterPlug.com website:

<http://www.boosterplug.com/shop/cms-downloads.html>

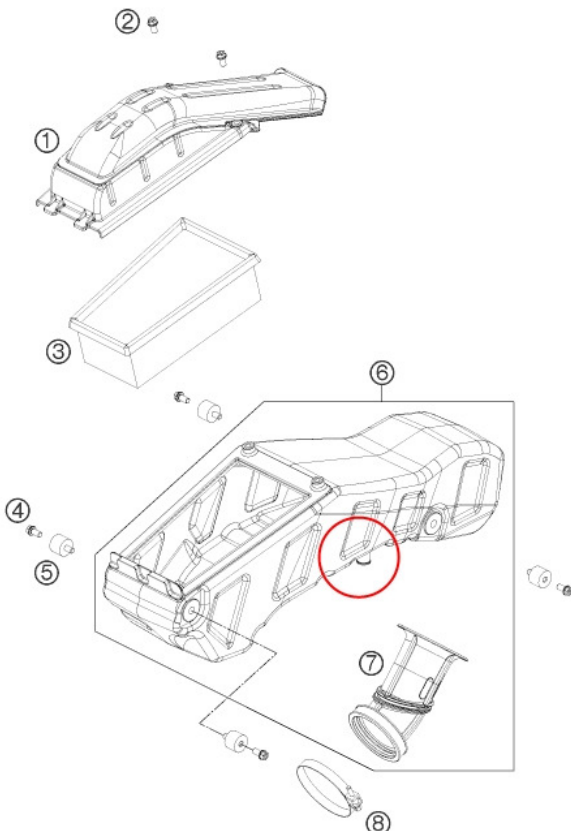
Installation Tips

- Install the BoosterPlug module as per the general installation papers.
- The pictures below should help you locate the AIT sensor where the BoosterPlug is installed.
 - On the 690 Enduro and the 690 SMC until 2016, the AIT sensor is located on the underside of the airbox.
 - On 2017 and newer models, the AIT sensor is placed in the rear left hand side of the airbox.
 - You can reach the sensor from the left hand side of the bike.

Pictures

For:

- KTM 690 Enduro (2008-2016)
- KTM 690 Enduro R (2009-2016)
- KTM 690 SMC (2008-2016)
- KTM 690 SMC R (2012-2016)



For:

- KTM 690 Enduro R (2017 and newer)
- KTM 690 SMC R (2017 and newer)

