



# Installation

Model specific instructions

For:

- Yamaha XT 660 Ténéré
- Yamaha XT 660 X
- Yamaha XT 660 R
- Yamaha MT-03 (660cc)

These instructions are a model specific add-on to the general BoosterPlug installation instructions.

The general BoosterPlug installation instructions can be found in the "Downloads" section on the BoosterPlug.com website:

<http://www.boosterplug.com/shop/cms-downloads.html>

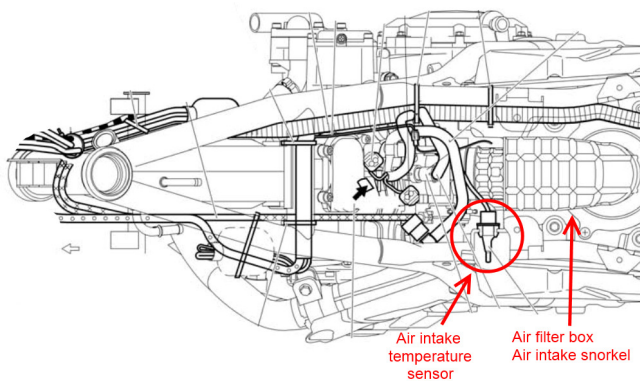
## Installation Tips

- Install the BoosterPlug module as per the general installation papers.
- The picture below should help you locate the AIT sensor where the BoosterPlug is installed.
- **XT 660 Ténéré:** Remove seat, and the AIT sensor is found just under the rear of the fuel tank.
  - (No need to remove the fuel tank, but it is a lot easier to reach the AIT sensor if you remove the air intake snorkel)
- **XT 660 X and XT 660 R:** Remove seat and left side cover. The AIT sensor is found in the left hand side of the air filter box.
- **MT-03:** AIT sensor is located in the front of the air filter box on the right hand side of the bike - just above the shock absorber.
- You have several choices for the BoosterPlug sensor location, but our favorite place is near the steering head or under the head light. Next to the airbox snorkel air intake hole is another very good spot.
  - Just stick to the simple rules in the general installation instructions for placing the external sensor, and you'll be fine.

## Pictures

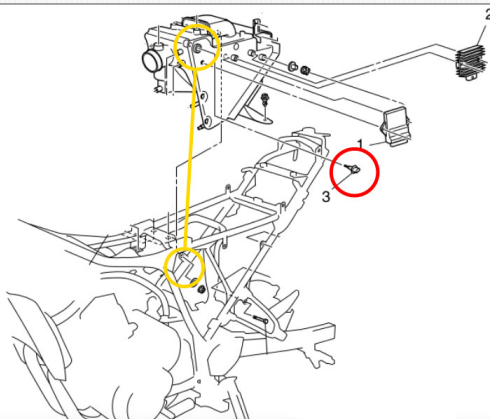
For:

- Yamaha XT 660 Ténéré



For:

- Yamaha XT 660 X
- Yamaha XT 660 R



For:

- Yamaha MT-03 (660cc)

