



Installation

General instructions

These instructions are the general instructions you need to install the BoosterPlug instructions.

Bike specific installation tips can be found in the "Downloads" section on the BoosterPlug.com website:

<http://www.boosterplug.com/shop/cms-downloads.html>

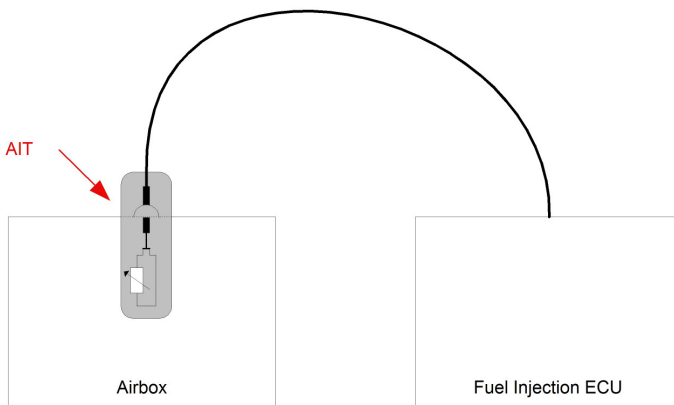
Installation

Installation is really easy - Just follow these steps to install the BoosterPlug:

1. Locate the Air Intake Temperature (AIT) sensor in the air filter box and unplug the cable connector.
 - *Most bikes will have the AIT sensor in the airbox, but a few bikes will have the sensor located outside the airbox*
 - *See the bike specific tips mentioned above to locate the AIT sensor on your bike.*
2. Connect the cable from the ECU to the BoosterPlug using the OEM connectors - no cutting or splicing needed.
 - *The BoosterPlug contains a male and a female connector, so you can't connect them the wrong way.*
3. Connect the BoosterPlug to the AIT sensor in the airbox - still using the OEM connectors.
4. Route the wire with the NTC resistor to a place where the NTC is not effected by engine or radiator heat and zip-tie it in place.
 - *Do not place the external sensor behind Cylinder Heads or Radiator.*
 - *Install it in a location where the sensor is receiving a reasonable amount of cool air when you ride your bike.*
 - *If you want to install the external NTC sensor far away from the BoosterPlug box, you can extend the cable with ordinary 2-wire cable. No magic involved. Just solder the connections and seal with heat-shrink tube.*
5. Go out and enjoy your bike.

Step 1

Unplug connector from AIT sensor in airbox



Step 2

Route the external NTC to a location where it's unaffected by engine heat and secure it with zip-ties.

Step 3

Connect the BoosterPlug to the AIT Connector in the Airbox

Connect cable from ECU to the BoosterPlug OEM Connector

