



Installation

Model specific instructions

For:

- **Kawasaki ZZR1400 (Ninja ZX14)** (2006 - 2011)
- **Kawasaki ZZR1400 (Ninja ZX14)** (2012 - up)
- **Kawasaki GTR1400 (Concours 14)** (2008 - 2014)
- **Kawasaki GTR1400 (Concours 14)** (2015 - up)

These instructions are a model specific add-on to the general BoosterPlug installation instructions.

The general BoosterPlug installation instructions can be found in the "Downloads" section on the BoosterPlug.com website:

<http://www.boosterplug.com/shop/cms-downloads.html>

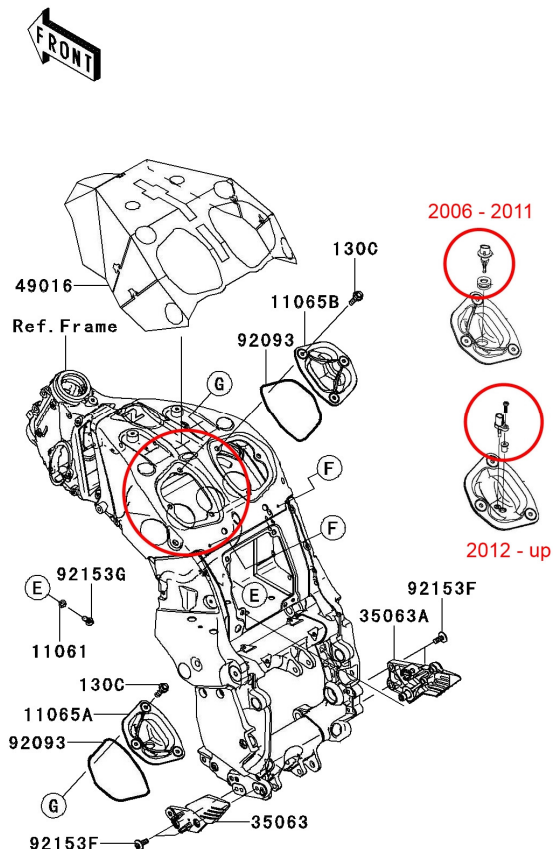
Installation Tips

- Install the BoosterPlug module as per the general installation papers.
- The pictures below should help you locate the AIT sensor where the BoosterPlug is installed.
- Lift the fuel tank to access the AIT sensor in the air box (Air box is in the monocoque frame box)
 - NOTE: The Kawa 1400 Monocoque framed bikes are not easy to work on. If you're in doubt about removing the gas tank, leave it to your mechanic to install the BoosterPlug.
- The AIT sensor is located in the left hand air filter cover (See picture below).
- One of the connector cables on the BoosterPlug for the Kawasaki 1400 is made longer than seen in the webshop pictures.
 - No worries - This is done to let you relocate the BoosterPlug module, as there's not much room where the AIT sensor is located.
- You have several choices for the BoosterPlug sensor location, but our favorite place is near the steering head or under the head light. Next to the airbox snorkel air intake hole is another very good spot.
 - Just stick to the simple rules in the general installation instructions for placing the external sensor, and you'll be fine.

Pictures

For:

- **Kawasaki ZZR1400 (Ninja ZX14)** (2006 - 2011)
- **Kawasaki ZZR1400 (Ninja ZX14)** (2012 - up)



For:

- **Kawasaki GTR1400 (Concours 14)** (2008 - 2014)
- **Kawasaki GTR1400 (Concours 14)** (2015 - up)

