



Installation

Model specific instructions

For:

- [Kawasaki ER-6F](#)
- [Kawasaki ER-6N](#)
- [Kawasaki Ninja 650R](#)
- [Kawasaki Ninja 650](#)
- [Kawasaki Z650](#)

These instructions are a model specific add-on to the general BoosterPlug installation instructions.

The general BoosterPlug installation instructions can be found in the "Downloads" section on the [BoosterPlug.com](http://www.boosterplug.com) website:

<http://www.boosterplug.com/shop/cms-downloads.html>

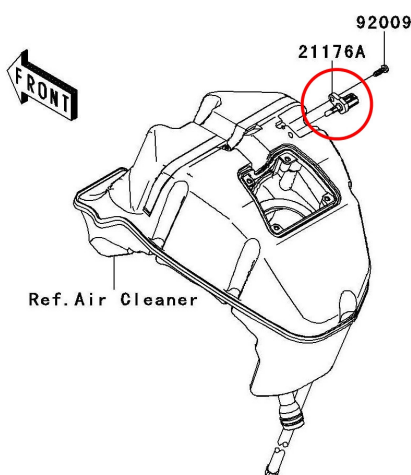
Installation Tips

- Install the BoosterPlug module as per the general installation papers.
- The pictures below should help you locate the AIT sensor where the BoosterPlug is installed.
- Lift the fuel tank to access the AIT sensor in the air box..
- The AIT sensor is located in the top of the air filter box (See picture below).
- One of the connector cables on the BoosterPlug is made longer than seen in the webshop pictures.
 - No worries - This is to let you relocate the BoosterPlug module as there's not much room between the gas tank and the air box.
- You have several choices for the BoosterPlug sensor location, but our favorite place is near the steering head or under the head light. Next to the airbox snorkel air intake hole is another very good spot.
 - Just stick to the simple rules in the general installation instructions for placing the external sensor, and you'll be fine.

Pictures

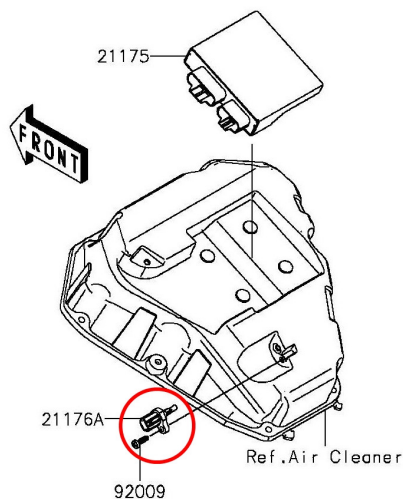
For:

- [2006 - 2011 models](#)



For:

- [2012 - 2016 models](#)



For:

- [2017 and newer models](#)

