



# Installation

Model specific instructions

For:

- **Suzuki AN250 Burgman**  
(2003 - 2006) (K3 - K6)
- **Suzuki AN400 Burgman**  
(2003 - 2006) (K3 - K6)
- **Suzuki AN400 Burgman**  
(2007 - 2009) (K7 - K9)
- **Suzuki AN400 Burgman**  
(2010 - up) (L0 - up)

These instructions are a model specific add-on to the general BoosterPlug installation instructions.

The general BoosterPlug installation instructions can be found in the "Downloads" section on the BoosterPlug.com website:

<http://www.boosterplug.com/shop/cms-downloads.html>

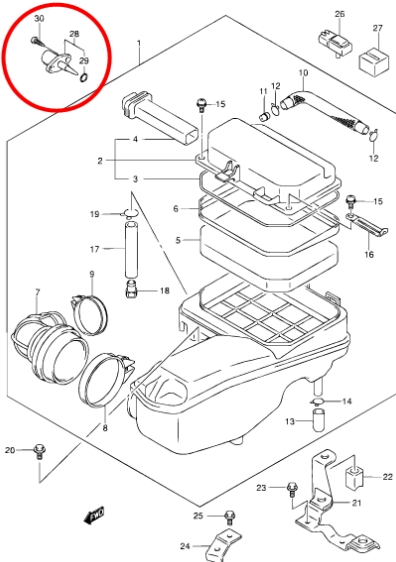
## Installation Tips

- Install the BoosterPlug module as per the general installation papers.
- The pictures below should help you locate the AIT sensor where the BoosterPlug is installed.
- The AIT sensor is located on the right hand side or in the front of the air filter box (See pictures below).
- Just stick to the simple rules in the general installation instructions for placing the external sensor, and you'll be fine.

## Pictures

For:

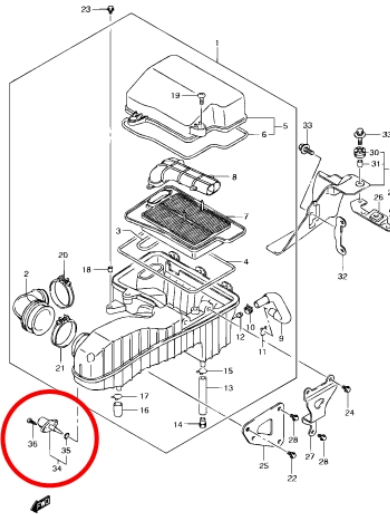
- **Suzuki AN250 Burgman**  
(2003 - 2006) (K3 - K6)
- **Suzuki AN400 Burgman**  
(2003 - 2006) (K3 - K6)



For:

- **Suzuki AN400 Burgman**  
(2007 - 2009) (K7 - K9)

FIG.13



For:

- **Suzuki AN400 Burgman**  
(2010 - up) (L0 - up)

