



Installation

Model specific instructions

For:

- **Suzuki GSX-R 750**
(2006 - 2007) (K6 - K7 models)
- **Suzuki GSX-R 750**
(2008 - 2010) (K8 - L0 models)
- **Suzuki GSX-R 750**
(2011 - up) (L1 - up)

These instructions are a model specific add-on to the general BoosterPlug installation instructions.

The general BoosterPlug installation instructions can be found in the "Downloads" section on the BoosterPlug.com website:

<http://www.boosterplug.com/shop/cms-downloads.html>

Installation Tips

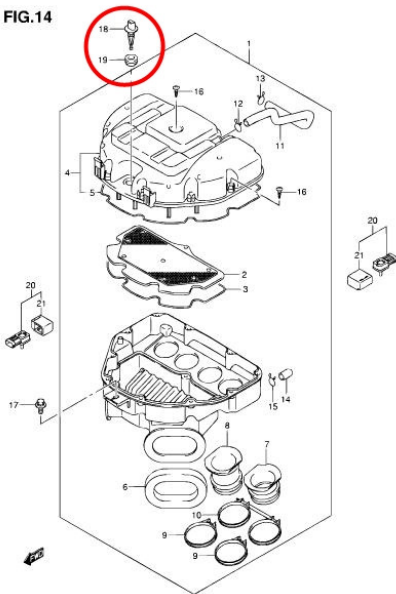
- Install the BoosterPlug module as per the general installation papers.
- The pictures below should help you locate the AIT sensor where the BoosterPlug is installed.
- Lift the fuel tank to access the AIT sensor in the air box..
- The AIT sensor is located in the top or the bottom of the air filter box (See pictures below).
- You have several choices for the BoosterPlug sensor location, but our favorite place is near the steering head or under the head light. Next to the airbox snorkel air intake hole is another very good spot.
 - Just stick to the simple rules in the general installation instructions for placing the external sensor, and you'll be fine.

Pictures

For:

- **Suzuki GSX-R 750 (2006 - 2007)**

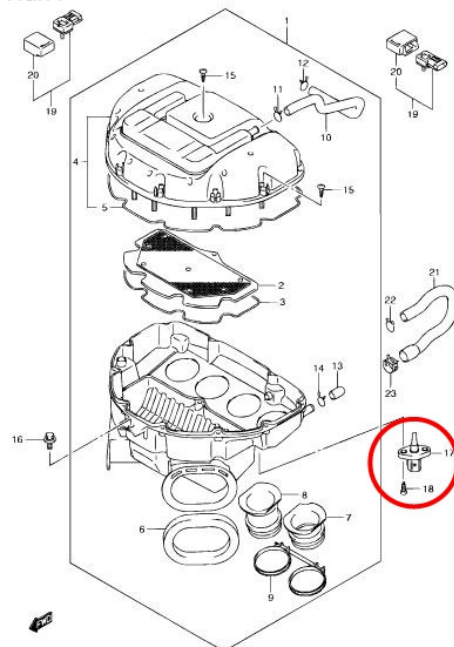
FIG.14



For:

- **Suzuki GSX-R 750 (2008 - 2010)**

FIG.14



For:

- **Suzuki GSX-R 750 (2011 - up)**

FIG.14

