



# Installation

Model specific instructions

For:

- **Suzuki SV650 (N + S)**  
(2003-2006) (K3-K6 models)
- **Suzuki SV650 (N + S)**  
(2007-2009) (K7-K9 models)

These instructions are a model specific add-on to the general BoosterPlug installation instructions.

The general BoosterPlug installation instructions can be found in the "Downloads" section on the BoosterPlug.com website:

<http://www.boosterplug.com/shop/cms-downloads.html>

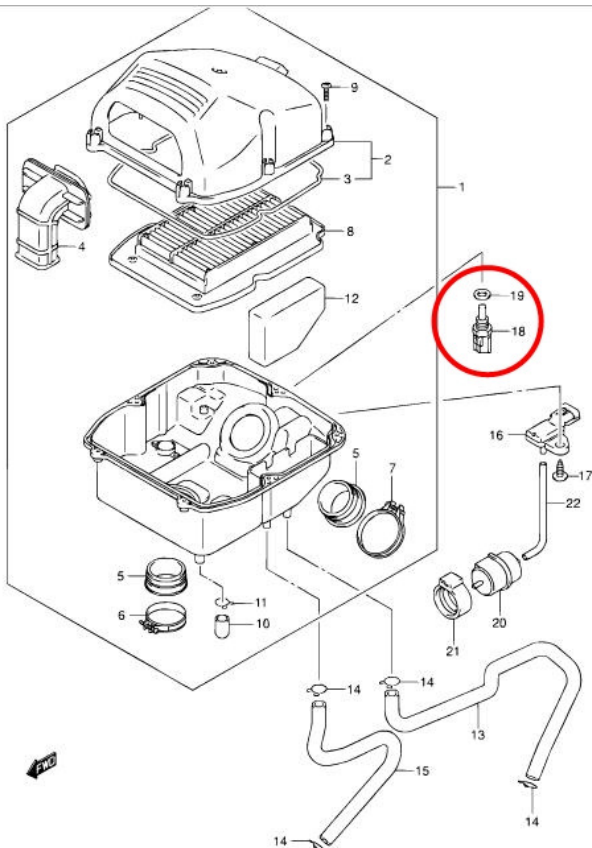
## Installation Tips

- Install the BoosterPlug module as per the general installation papers.
- The pictures below should help you locate the AIT sensor where the BoosterPlug is installed.
- Remove the two bolts in the front of the gas tank and lift the front of the tank carefully.
- The AIT sensor is located in the rear of the air filter box (See pictures below).
- You have several choices for the BoosterPlug sensor location, but our favorite place is near the steering head or under the head light. Next to the airbox snorkel air intake hole is another very good spot.
  - Just stick to the simple rules in the general installation instructions for placing the external sensor, and you'll be fine.

## Pictures

For:

- **Suzuki SV650 (N + S)** (2003-2006) (K3-K6 models)



For:

- **Suzuki SV650 (N + S)** (2007-2009) (K7-K9 models)

