



Installation

Model specific instructions

For:

- [BMW R1200GS \(Air cooled\)](#)
- [BMW R1200R](#)
- [BMW R1200RT](#)
- [BMW R1200S](#)
- [BMW R1200ST](#)
- [BMW R1200C](#)
- [BMW R1200CL](#)
- [BMW R1200CLC](#)
- [BMW HP2 Enduro](#)
- [BMW HP2 Megamoto](#)
- [BMW HP2 Sport](#)
- [BMW R nineT](#)

These instructions are a model specific add-on to the general BoosterPlug installation instructions.

The general BoosterPlug installation instructions can be found in the "Downloads" section on the [BoosterPlug.com](http://www.boosterplug.com) website:

<http://www.boosterplug.com/shop/cms-downloads.html>

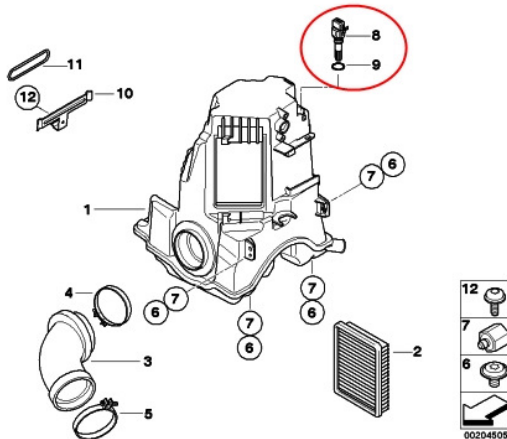
Installation Tips

- Remove the left hand side gas tank shielding (Next to your left knee when you sit on the bike)
 - Exception: On the R1200C, the R1200R, and the R nineT, you need to lift the gas tank
- Locate the AIT sensor in the air filter box
- The pictures below should help you locate the sensor
- Install the BoosterPlug module as per the general installation papers
- You have several choices for the sensor location, but our favorite place is near the steering head or under the head light. Next to the airbox snorkel air intake hole is another very good spot.

Pictures

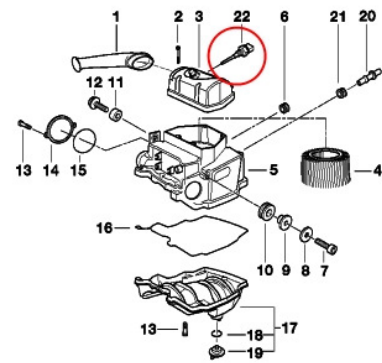
For:

- [BMW R1200GS](#)
- [BMW R1200R](#)
- [BMW R1200RT](#)
- [BMW R1200S](#)
- [BMW R1200ST](#)
- [BMW HP2 Enduro](#)
- [BMW HP2 Megamoto](#)
- [BMW HP2 Sport](#)
- [BMW R nineT](#)



For:

- [BMW R1200C](#)
- [BMW R1200CL](#)
- [BMW R1200CLC](#)



For:

[BMW R1200GS \(Water cooled models\)](#) — download separate instruction from www.boosterplug.com.