



Installation

Model specific instructions

For:

- BMW R850GS
- BMW R850R
- BMW R850RT
- BMW R1100GS
- BMW R1100R
- BMW R1100RS
- BMW R1100RT
- BMW R1100S
- BMW R1150GS
- BMW R1150R
- BMW R1150R Rockster
- BMW R1150RS
- BMW R1150RT

These instructions are a model specific add-on to the general BoosterPlug installation instructions.

The general BoosterPlug installation instructions can be found in the "Downloads" section on the BoosterPlug.com website:

<http://www.boosterplug.com/shop/cms-downloads.html>

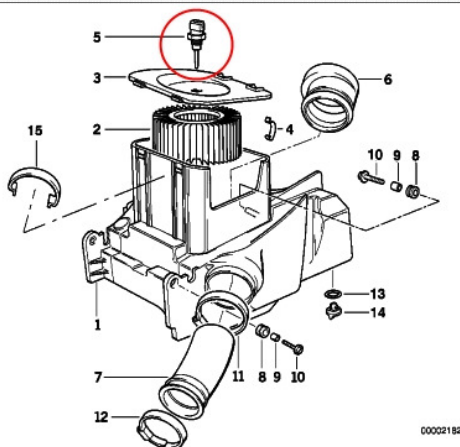
Installation Tips

- Remove the seat and the AIT sensor should be visible right behind the gas tank (You may have to lift the rear end of the gas tank slightly to get to the AIT sensor)
- The pictures below should help you locate the sensor
- Install the BoosterPlug module as per the general installation papers
- You have several choices for the sensor location, but our favorite place is near the steering head or under the head light. Next to the airbox snorkel air intake hole is another very good spot.

Pictures

For:

- BMW R850GS
- BMW R850R
- BMW R850RT
- BMW R1100GS
- BMW R1100R
- BMW R1100RS
- BMW R1100RT
- BMW R1150GS
- BMW R1150R
- BMW R1150R Rockster
- BMW R1150RS
- BMW R1150RT



00002182

For:

- BMW R1100S

