



Installation

Model specific instructions

For:

- **Ducati Diavel (2011 - 2018)**
- **Ducati Diavel (2019 and newer)**
- **Ducati XDiavel**

These instructions are a model specific add-on to the general BoosterPlug installation instructions.

The general BoosterPlug installation instructions can be found in the "Downloads" section on the BoosterPlug.com website:

<http://www.boosterplug.com/shop/cms-downloads.html>

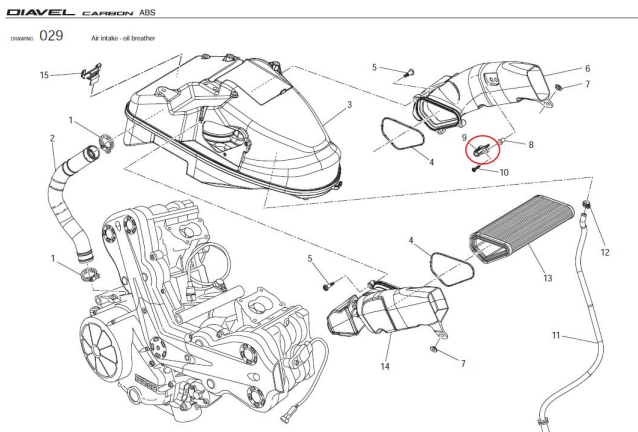
Installation Tips

- The pictures below should help you locate the AIT sensor where the BoosterPlug is installed.
- Install the BoosterPlug module as per the general installation papers.
 - On the Diavel, the AIT sensor is located in the left hand side air intake snorkel.
 - On the XDiavel, the AIT sensor is located in the top of the air filter box
 - You have several choices for the BoosterPlug sensor location, but our favorite place is near the steering head or under the head light. Just stick to the simple rules in the general installation instructions for placing the external sensor, and you'll be fine.

Pictures

For:

- **Ducati Diavel (2011 - 2018)**



For:

- **Ducati Diavel (2019 and newer)**
- **Ducati XDiavel**

