



# Installation

Model specific instructions

For:

- **Ducati Hypermotard 796**
- **Ducati Hypermotard 1100**
- **Ducati Hypermotard 1100 EVO**

These instructions are a model specific add-on to the general BoosterPlug installation instructions.

The general BoosterPlug installation instructions can be found in the "Downloads" section on the BoosterPlug.com website:

<http://www.boosterplug.com/shop/cms-downloads.html>

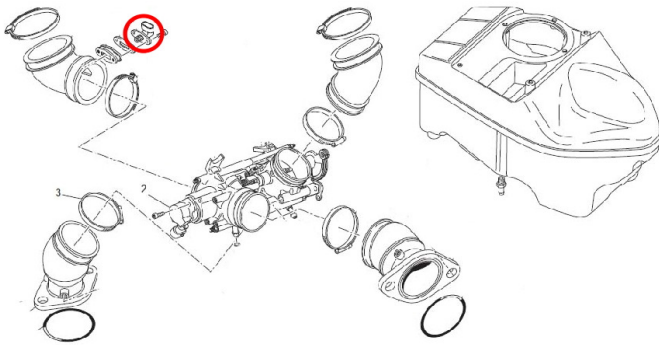
## Installation Tips

- The pictures below should help you locate the AIT sensor where the BoosterPlug is installed.
- Install the BoosterPlug module as per the general installation papers.
  - On the Hypermotard, 796, and 1100 EVO series, the AIT sensor is located in the air intake hose between the Air filter box and the throttle valve housing.
    - You have several choices for the BoosterPlug sensor location, but our favorite places are near the steering head, under the head light, or next to the airbox snorkel air intake hole. • Just stick to the simple rules in the general installation instructions for placing the external sensor, and you'll be fine.
  - For the Hypermotard1100 (Non-EVO), the metal sensor on the BoosterPlug is already in the right spot, so you just need to secure it with a zip-tie to prevent it from flopping around.

## Pictures

For:

- **Ducati Hypermotard 796**
- **Ducati Hypermotard 1100 EVO**



For:

- **Ducati Hypermotard 1100**

