



# Installation

Model specific instructions

For:

- **Ducati Multistrada 950 (2017 and newer)**
- **Ducati Multistrada 1200 (2010 - 2014)**
- **Ducati Multistrada 1200 DVT (2015 and newer)**
- **Ducati Multistrada 1260 DVT (2018 and newer)**

These instructions are a model specific add-on to the general BoosterPlug installation instructions.

The general BoosterPlug installation instructions can be found in the "Downloads" section on the BoosterPlug.com website:

<http://www.boosterplug.com/shop/cms-downloads.html>

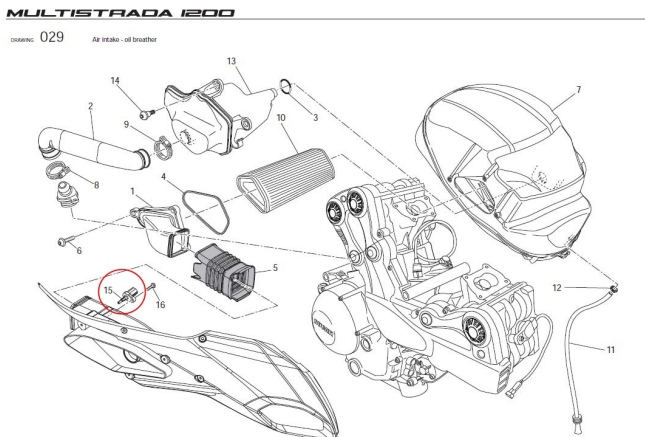
## Installation Tips

- Install the BoosterPlug module as per the general installation papers.
- The pictures below should help you locate the AIT sensor where the BoosterPlug is installed.
- On the first generation Multistrada 1200 (2010-2014) the AIT sensor is located in the right hand side air intake snorkel.
  - The BoosterPlug sensor cable is short because the sensor is already in the right spot, right next to the original sensor.
- On the second generation Multistrada 1200 DVT, and 1260 DVT and the Multistrada 950, the AIT sensor is located in the top of the air filter box, under the gas tank.
  - Route the BoosterPlug sensor to a cool place with a reasonable air exchange (as per the general instructions)

## Pictures

For:

- **Ducati Multistrada 1200 (2010 - 2014)**



For:

- **Ducati Multistrada 950 (2017 and newer)**
- **Ducati Multistrada 1200 DVT (2015 and newer)**
- **Ducati Multistrada 1260 DVT (2018 and newer)**

