



Installation

Model specific instructions

For:

- **Ducati Paul Smart**
- **Ducati Sport 1000**
- **Ducati Sport 1000S**
- **Ducati GT 1000**

These instructions are a model specific add-on to the general BoosterPlug installation instructions.

The general BoosterPlug installation instructions can be found in the "Downloads" section on the BoosterPlug.com website:

<http://www.boosterplug.com/shop/cms-downloads.html>

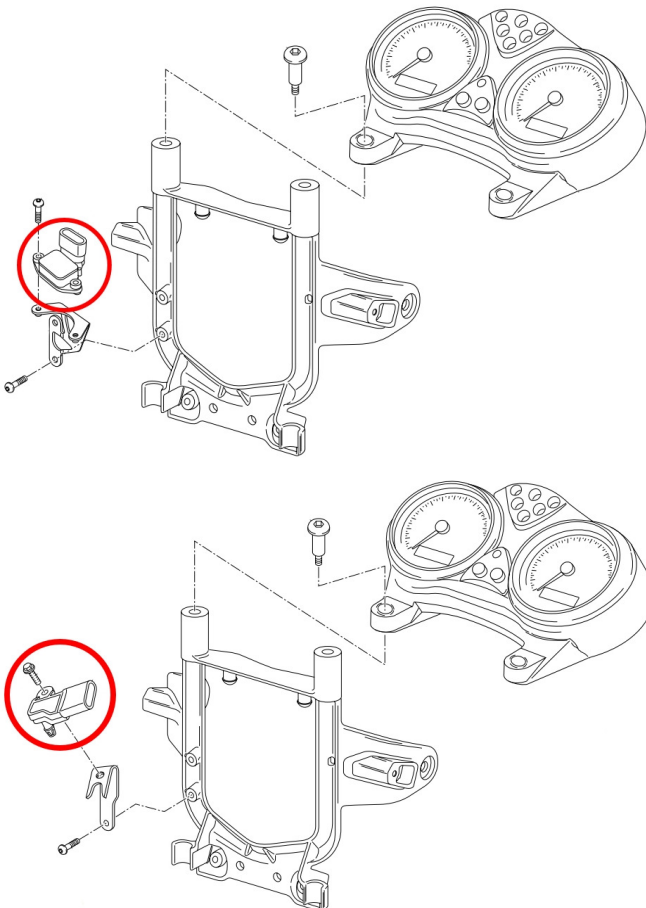
Installation Tips

- The pictures below should help you locate the AIT sensor where the BoosterPlug is installed.
- Install the BoosterPlug module as per the general installation papers.
- The AIT sensor is located on the subframe below the dashboard
- The external sensor on the BoosterPlug is already in the right spot, so you just need to secure it with a zip-tie to prevent it from flopping around.

Pictures

For models with no fairing:

- **Ducati Sport 1000 (Top picture)**
- **Ducati Sport 1000 S (Bottom picture)**
- **Ducati GT 1000 (Bottom picture)**



For models with fairing:

- **Ducati Paul Smart (Top picture)**
- **Ducati Sport 1000S (Bottom picture)**

