



Installation

Model specific instructions

For Harley Davidson Dyna models:

- FXD Dyna Super Glide
- FXDB Dyna Street Bob
- FXDL Dyna Low Rider
- FXDC Dyna Super Glide Custom
- FXDWG Dyna Wide Glide
- FXDF Dyna Fat Bob
- FLD Dyna Switchback
- FXDLS Dyna 110 Low Rider S

These instructions are a model specific add-on to the general BoosterPlug installation instructions.

The general BoosterPlug installation instructions can be found in the "Downloads" section on the BoosterPlug.com website:

<http://www.boosterplug.com/shop/cms-downloads.html>

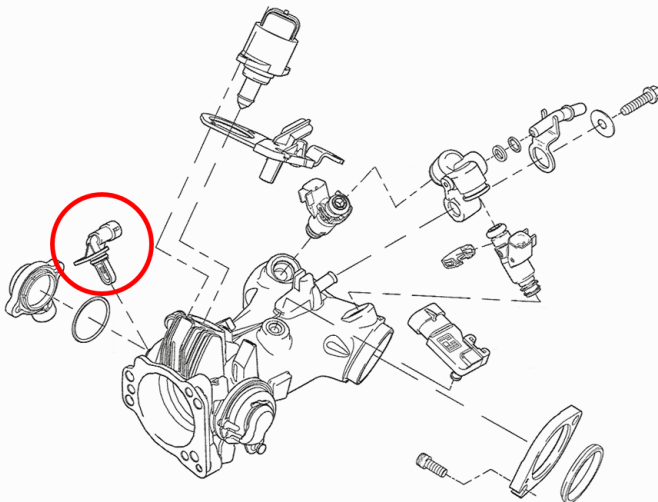
Installation Tips

- Install the BoosterPlug module as per the general installation papers.
- The picture below should help you locate the AIT sensor where the BoosterPlug is installed.
 - The AIT sensor is found in the throttle valve body between the cylinder heads.
 - Remove the air filter assembly to get access to the AIT sensor.
- You have several choices for the BoosterPlug sensor location, but our favorite place is near the steering head or under the head light.
 - Just stick to the simple rules in the general installation instructions for placing the external sensor, and you'll be fine.

Pictures

For:

- All Dyna models - except Dyna 110 Low Rider S



For:

- FXDLS Dyna 110 Low Rider S

