



# Installation

Model specific instructions

For Harley Davidson Softail models  
(From 2007 to 2017)

- FXST Softail Standard
- FLSTN Softail Deluxe
- FXSTC Softail Custom
- FXSTB Softail Night Train
- FXSTD Softail Deuce
- FLSTSC Softail Springer Classic
- FLSTC Heritage Softail Classic
- FLSTSB Softail Cross Bones
- FXS Softail Blackline
- FLS Softail Slim
- FLSS Softail Slim S
- FXSB Breakout
- FLSTF Fat Boy
- FLSTFB Fat Boy Lo
- FLSTFBS Fat Boy S
- FXCW Rocker
- FXCWC Rocker C

These instructions are a model specific add-on to the general BoosterPlug installation instructions.

The general BoosterPlug installation instructions can be found in the "Downloads" section on the BoosterPlug.com website:

<http://www.boosterplug.com/shop/cms-downloads.html>

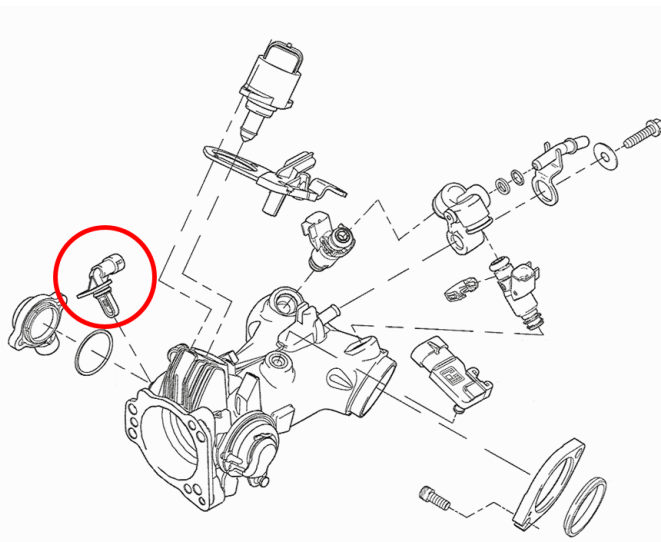
## Installation Tips

- Install the BoosterPlug module as per the general installation papers.
- The picture below should help you locate the AIT sensor where the BoosterPlug is installed.
  - The AIT sensor is found in the throttle valve body between the cylinder heads.
  - Remove the air filter assembly to get access to the AIT sensor.
- You have several choices for the BoosterPlug sensor location, but our favorite place is near the steering head or under the head light.
  - Just stick to the simple rules in the general installation instructions for placing the external sensor, and you'll be fine.

## Pictures

For:

- All models from 2007 to 2015.



For:

- All models from 2016 to 2017.

