



Installation

Model specific instructions

For:

- **Yamaha SR400**

These instructions are a model specific add-on to the general BoosterPlug installation instructions.

The general BoosterPlug installation instructions can be found in the "Downloads" section on the BoosterPlug.com website:

<http://www.boosterplug.com/shop/cms-downloads.html>

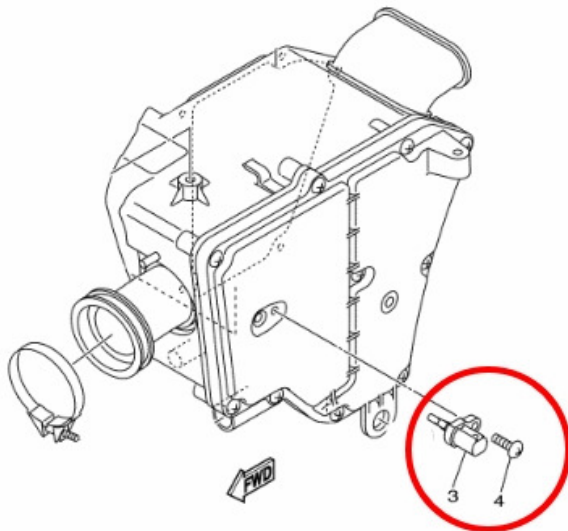
Installation Tips

- Install the BoosterPlug module as per the general installation papers.
- The picture below should help you locate the AIT sensor where the BoosterPlug is installed.
- The AIT sensor is located in the left hand side of the air filter box (See pictures below).
- You have several choices for the BoosterPlug sensor location, but our favorite place is near the steering head or under the head light. Next to the airbox snorkel air intake hole is another very good spot.
 - Just stick to the simple rules in the general installation instructions for placing the external sensor, and you'll be fine.

Pictures

For:

- **Yamaha SR400**



NOTE !

Yamaha is using a different air filter box in some countries. (This variation is not documented in the official Yamaha model documentation, so it is not clear why there are two different air filter boxes)

The different air filter box have the AIT sensor positioned in a slightly different position (in the top of the air filter box, front left hand side)

There is no difference in the installation procedure for the BoosterPlug - you just need to look for the AIT sensor in a different spot if you can not find it on the side of the air filter box.

The picture below show the alternative AIT sensor location.

